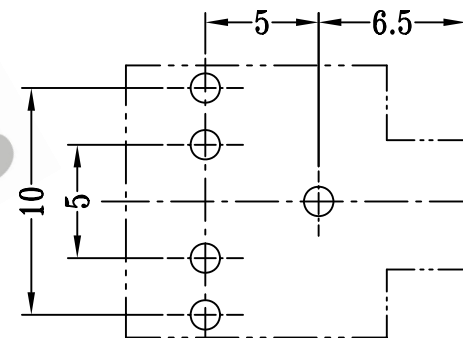
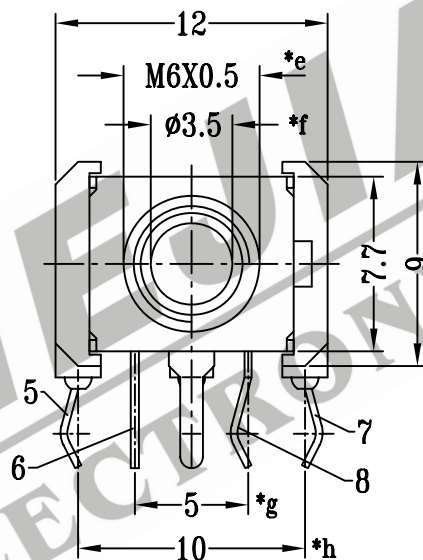
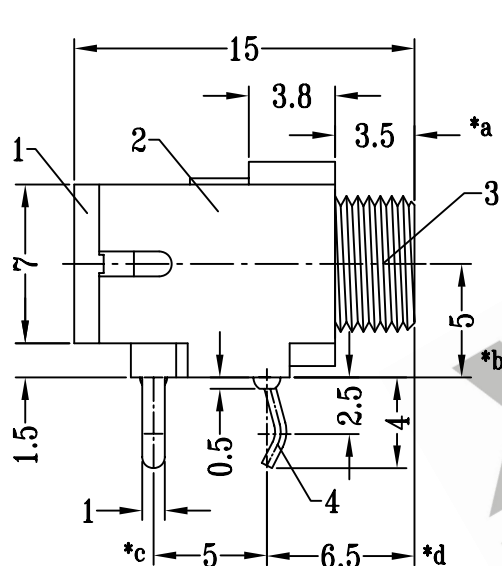
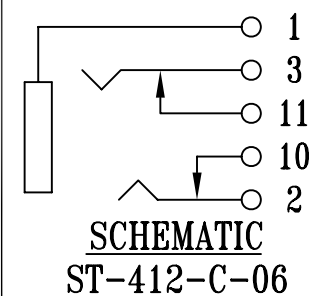
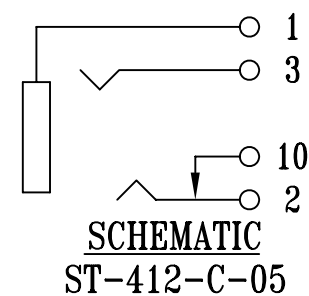
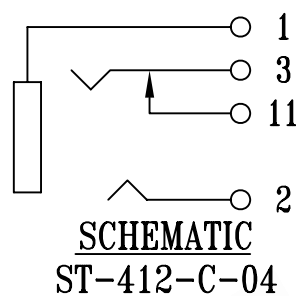
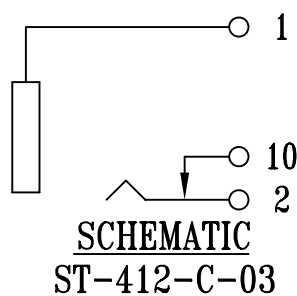
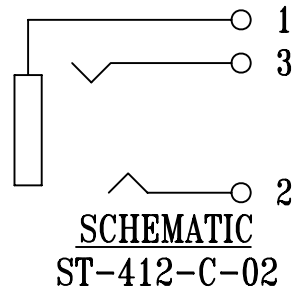
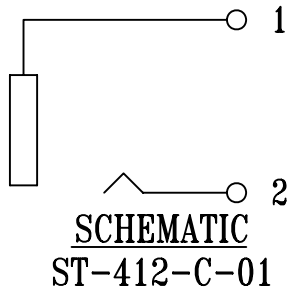


CAD FILE:



9	LOCK SPRING	STAINLESS STEEL	1	NATURAL
8	SPRING TERMINAL B	STAINLESS STRIP	1	Ag PLATED OVER Ni PLATED
7	TERMINAL C	BRASS STRIP	1	Ag PLATED OVER Ni PLATED
6	TERMINAL B	BRASS STRIP	1	Ag PLATED OVER Ni PLATED
5	SPRING TERMINAL A	STAINLESS STEEL	1	Ag PLATED OVER Ni PLATED
4	TERMINAL A	STEEL STRIP	1	Ni PLATED
3	SOCKET	BRASS	1	Ni PLATED
2	CASE	POM/PBT/NYLON+F.G94V0 PBT+F.G94V0	1	BLACK
1	COVER	POM/PBT/NYLON+F.G94V0 PBT+F.G94V0	1	BLACK
NO.	PARTS	MATERIALS	Q'TY	FINISH

TOLERANCE
UNLESS SPECIFIED
WITHIN: 1.5±0.1mm
OVER: 1.5±0.2mm

SHENZHEN XIEJIA ELECTRONICS CO.,LTD.

注:带"*"表示关键尺寸(8个)

TITLE : PHONE JACK		UNIT : mm	DRWG NO.: XJ-DR-ST412C-00	
MODEL: ST-412-C		SCALE: 3:1	DWN.	ZHOUYU 2001-7-12
ALL MATERIALS MUST BE COMPLIANT TO ROHS			CHK'D	FANGYING 2001-7-12
			APPD.	KANGXINAN 2001-7-12